

Delta 50

PENDANT



SPECIFICATION SHEET

Delta 50



Model 1771

Type

P Pendant

Size

26 26.4" [670mm]
38 38.2" [971mm]
50 50.0" [1271mm]
Custom

Wattage ^{1,2}

26"
L 6W (800lm)
M 12W (1485lm)
38"
L 9W (1200lm)
M 18W (2230lm)
50"
L 12W (1600lm)
M 24W (2970lm)

Color Temp ³

30 3000
35 3500
40 4000

Voltage

U 120/277 Volt
1 120 Volt (DFPN only - see section Control)

Driver

RD Remote

Control - RD

S Non-dim
D010 0-10V 10%
DFPN Lutron Forward Phase 1% 120 Volt
L3DAE Lutron Hi-lume 1% EcoSystem
L3DOE Hi-lume Premier 0.1% EcoSystem

Diffuser

SA Satin clear acrylic

Finish ⁴

19 Painted anodized aluminum - RAL 9006 matte
21 Painted white - RAL 9010 matte
26 Painted black - RAL 9005 matte
22 Painted custom color

Mounting

PC Power cable

Power Cable ⁵

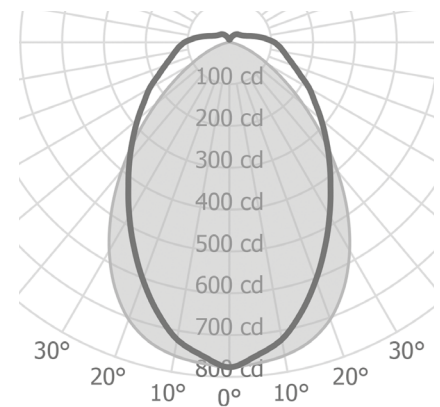
CC Clear insulated cable

Notes

- 1 Nominal lumens value specified
- 2 Linear LED board, constant voltage 24 Volt
- 3 90+ CRI standard
- 4 Canopy finish matches housing
- 5 96" standard power cable length

Example fixture number:

1771 - P - 38 - L - 30 - U - RD - S - SA - 19 - PC - CC



Delta 50

PENDANT

Suspended or surface luminaire with extruded aluminum housing and machined end caps.

The diffuser is Satin Clear Acrylic. Ideal for individual uses or in a series for office areas.



Size	
26	26.4" [670mm]
38	38.2" [971mm]
50	50.0" [1,271mm]
Custom	



* 50mm diameter fixture diffuser profile

Delta 50

PENDANT



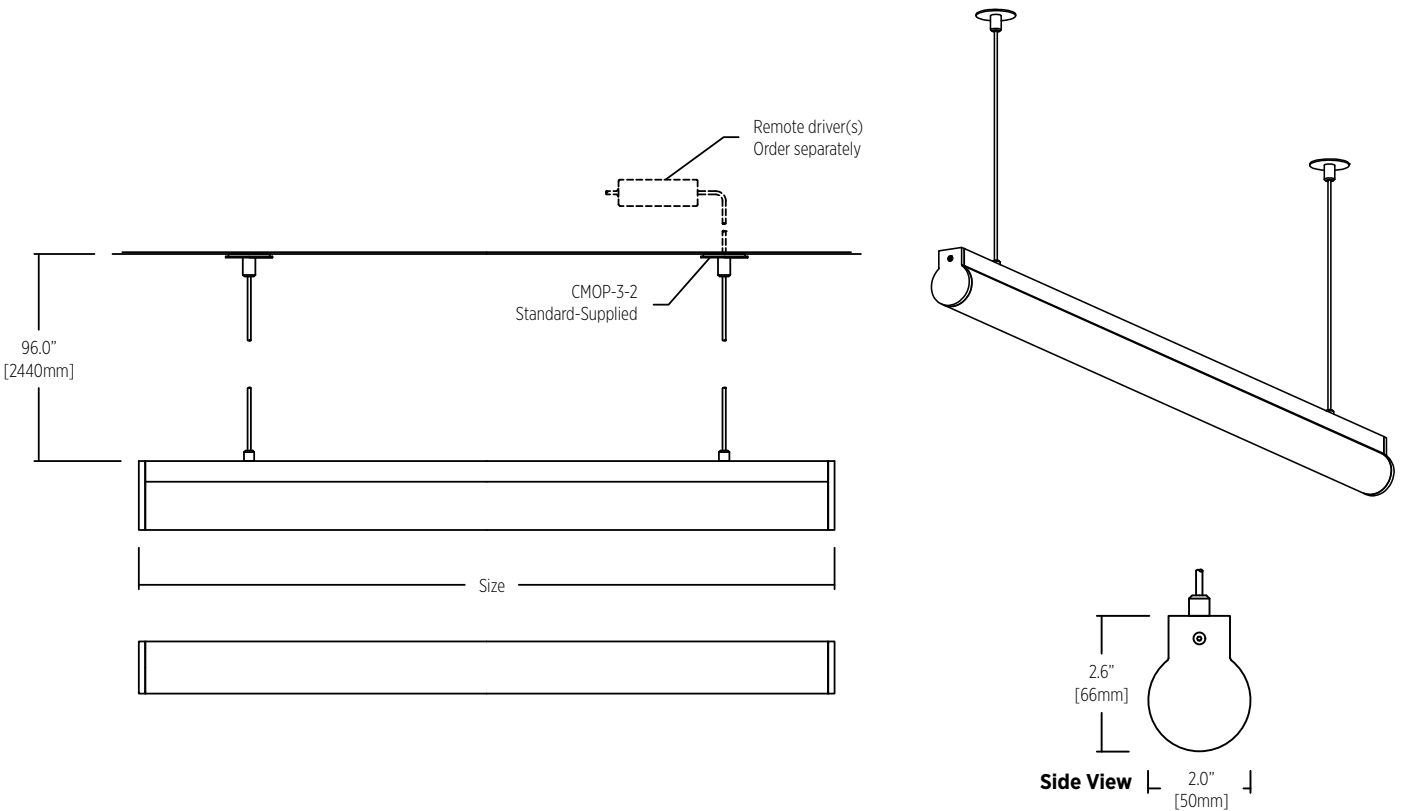
SPECIFICATION SHEET

Delta 50

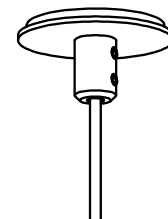
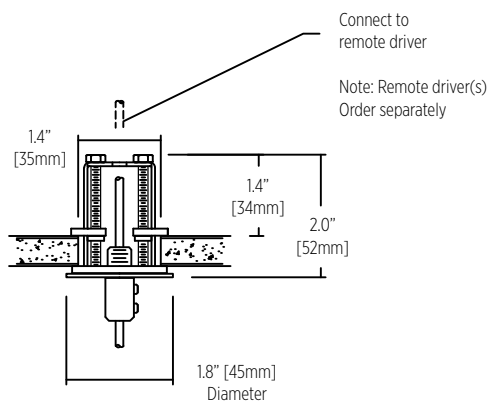


INSTALLATION TYPE

Straight power cables with remote driver



CMOP-3-2 Standard - Supplied



Mounting Option Power 3-2
Suspension Assembly
Installed in drywall or wood ceiling